

# Instruction Manual

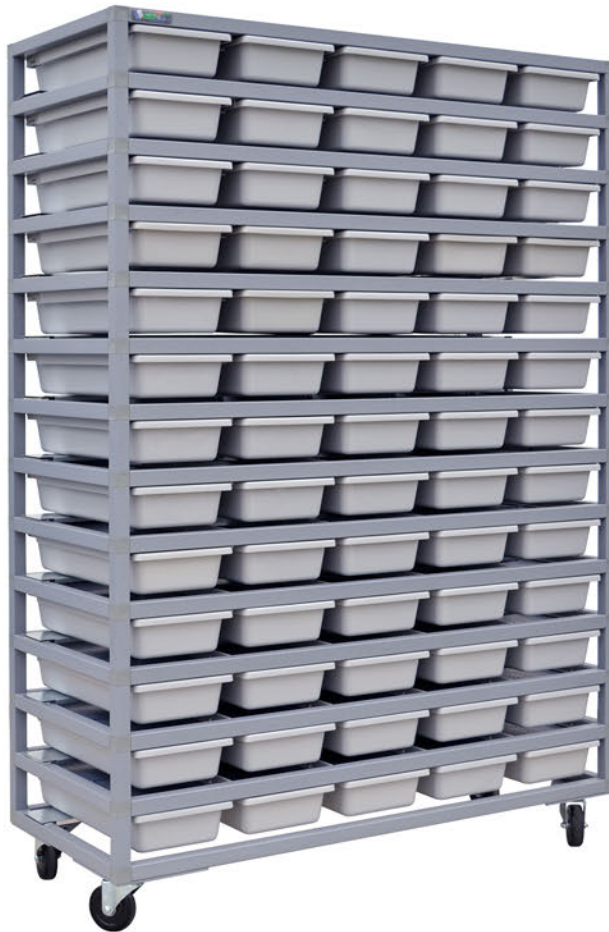
ARS Hybrid Reptile Systems

## 10 Series

1039-H 1065-H



**1065-Hybrid**



**1039-Hybrid**



[www.arscaging.com](http://www.arscaging.com) 1-317-527-7076

ARS Caging. American Rodent Supply, LLC  
12220 Southeastern Ave, Building #3, Indianapolis, Indiana 46259

# 10 Series

1039-H 1065-H

## Packing List

Quantities included by model

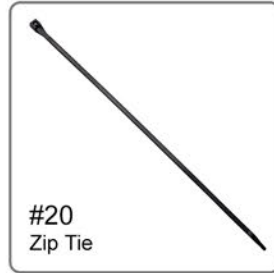
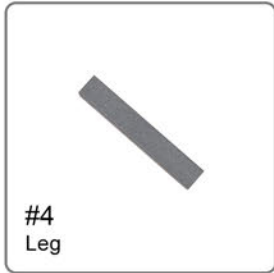
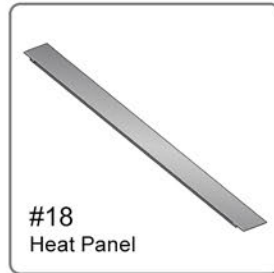
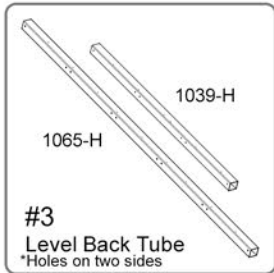
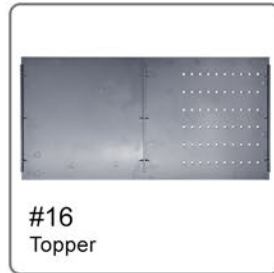
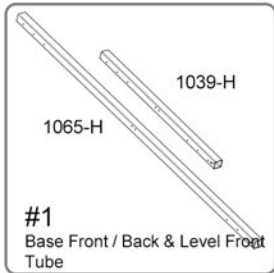
Part #	Part Description	1039	1065
1	Base Front / Back & Level Front Tube	15	15
2	Base & Level Side Tube	28	28
3	Level Back Tube	13	13
4	Leg	52	52
5	Top & Base Connector (3-Way)	8	8
6	Level Connector (4-Way)	48	48
7	Base Caster Plate	4	4
8	Screw	284	427
9	Caster	4	4
10	Stopper	26	39
11	Single Glide	26	26
12	Double Glide	26	52
13	(No part #13 on 10 Series)	-	-
14	Nut (Caster Plate)	16	16
15	Bolt (Caster Plate)	16	16
16	Topper	39	65
17	10 Series Tub	39	65
18	Heat Panel	13	13
19	Velcro (w/ Black Pad)	26	26
20	Zip Tie	2	2
21	48" Power Strip (18 Outlet)	1	1
22	ARS Dome Tag Sticker	1	1

\*See images on page 2.

# 10 Series

1039-H 1065-H

## Packing List



\*See quantities on page 1.

# 10 Series

1039-H 1065-H

## Tools Required



## Tools Recommended

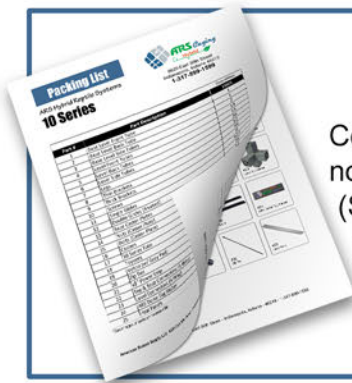
It is recommended that you use an Electric Screwdriver instead of an Electric Drill to prevent marring that can be caused by the chuck of the drill.

We recommend a Rubber Mallet be used when inserting the 3-Way and 4-Way Connectors into the square tubes.



### Step 1

Count all parts to make sure nothing is missing. (See Packing List for descriptions, photos and quantities).



### Step 2

#### About the tubes

The 10 Series uses 4 styles of tubes throughout the entire assembly.

The Base Front / Back Tubes and the Level Front Tubes are all (Part #1), with multiple holes. Some holes are used during the base

assembly and the remaining holes are used during the level assembly. This is the same for the Side Tubes (Part #2). For example, the assembly of the base frame uses the 3 hole pattern at each end, as indicated by the arrows in Fig. 2-1 and Fig. 2-2.

The third tube style is the Level Back Tube (Part #3), and is pictured and used in Step 7. Lastly is the Leg (Part #4) used in Step 14.

Closeup of one end of the Front / Back Tube

Fig. 2-1



3 hole pattern used for base frame assembly only

The large holes are part of the manufacturing process and are not used.

Side Tube

3 hole pattern used for base frame assembly only

Fig. 2-2



# 10 Series

1039-H 1065-H

## Base Frame Assembly

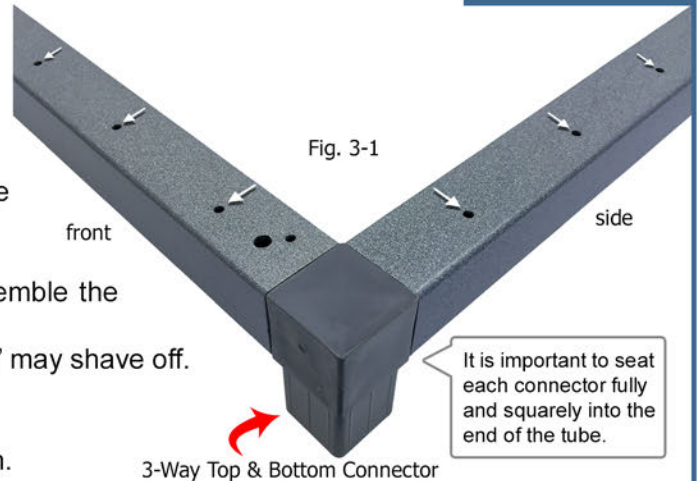
### Step 3

Start with 2 of the Front / Back Tubes (Part #1) and 2 of the Side Tubes (Part #2). Each end has a three hole pattern. This is where the Base Caster Plate (Part #7) is attached using 6 of the Screws (Part #8) in Step 4.

**Note:** The holes are off center, closer to one side of the tube. Make sure they are assembled so that the holes are towards the outer part of the frame as shown in Fig. 3-1.

Using 4 of the 3-way Top & Base Connectors (Part #5), assemble the base frame by sliding the parts together. During the insertion of the connectors, parts of the plastic "ribs" may shave off. This is by design, and provides a precise fit.

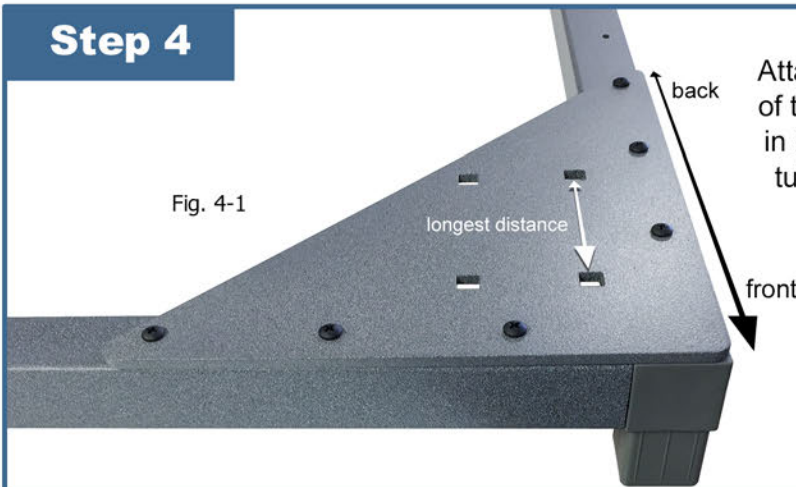
**Note:** Fig. 3-1 and Fig. 4-1 shows the base frame upside down.



### Step 4

Attach a Base Caster Plate (Part #7) to all four corners of the base frame using the Screws provided as shown in Fig. 4-1. Make sure they are tightly screwed into the tubes.

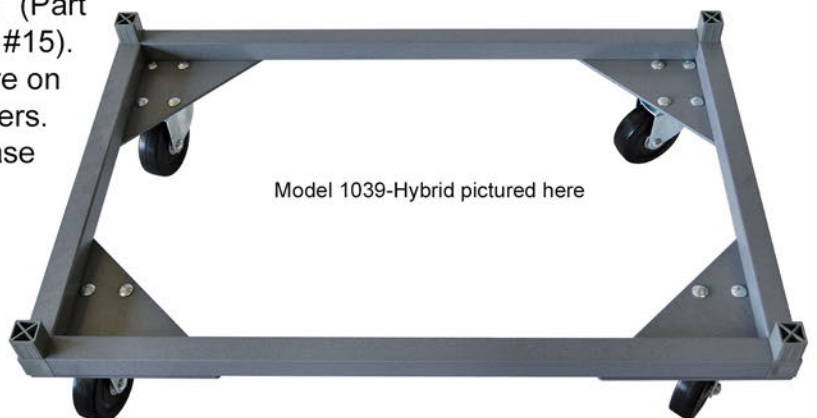
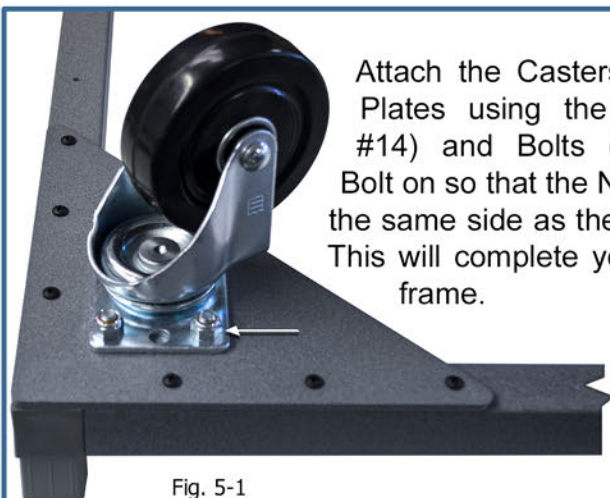
**Note:** Each Base Caster Plate has four square holes that are laid out in a rectangle. Attach them so the longest distance is running from front to back.



### Step 5

Attach the Casters (Part #9) to the Base Caster Plates using the Nuts (Part #14) and Bolts (Part #15). Bolt on so that the Nuts are on the same side as the Casters. This will complete your base frame.

Model 1039-Hybrid pictured here



Continue to Step 6 →

# 10 Series

## 1039-H 1065-H

### Step 6

Attach a Single Glide (Part #11) to the Level Side Tube (Part #2) using the Screws provided.

**Note:** The center hole on the Level Side Tube needs to be towards the top when attaching.



There will be 26 assembled Level Side Tubes when finished with this step.

### Step 7



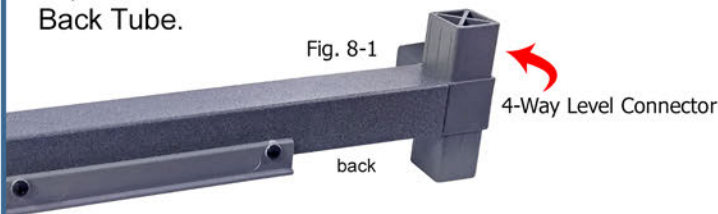
Attach Stoppers (Part #10) to the Level Back Tube (Part #3) using Screws provided. (Fig. 7-2). These Stoppers will extend below the tube's edge.

Once this step is complete, there will be 13 assembled Level Back Tubes.

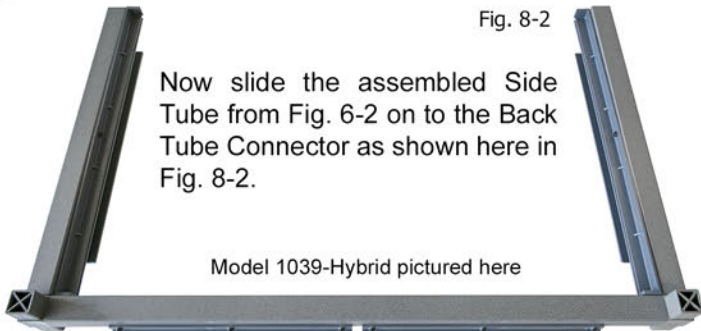
Model 1065-Hybrid pictured here

### Step 8

Start assembling the first level. Slide a 4-way Connector (Part #6) into each end of the Back Tube.



Now slide the assembled Side Tube from Fig. 6-2 on to the Back Tube Connector as shown here in Fig. 8-2.



Model 1039-Hybrid pictured here

### Step 9



Attach the end of the Single Glides to the Level Back Tubes using Screws provided.

**Note:** Make sure that your tubes and connectors are all the way in and snug before screwing in the glide. While attaching the glide, the screw will drill through the plastic connector inside the tube. This will marry the two tubes and keep them from coming apart.

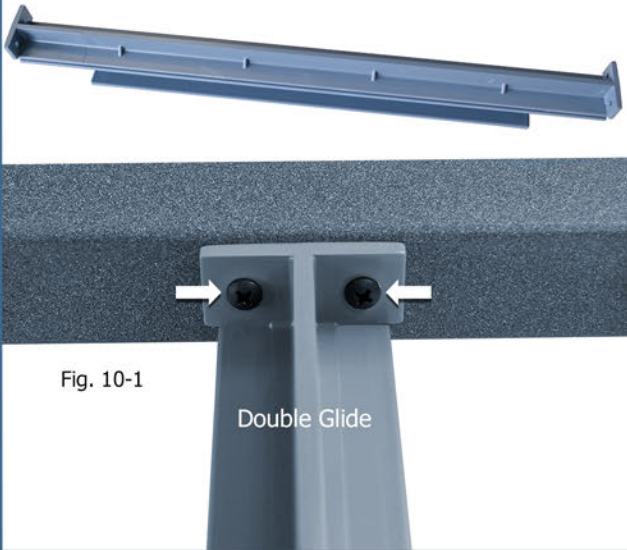
Using an electric screwdriver with an extended bit is best here. See Fig. 8-1 for example. Electric drills with rotating chucks may leave wear marks on the glides.

# 10 Series

1039-H 1065-H

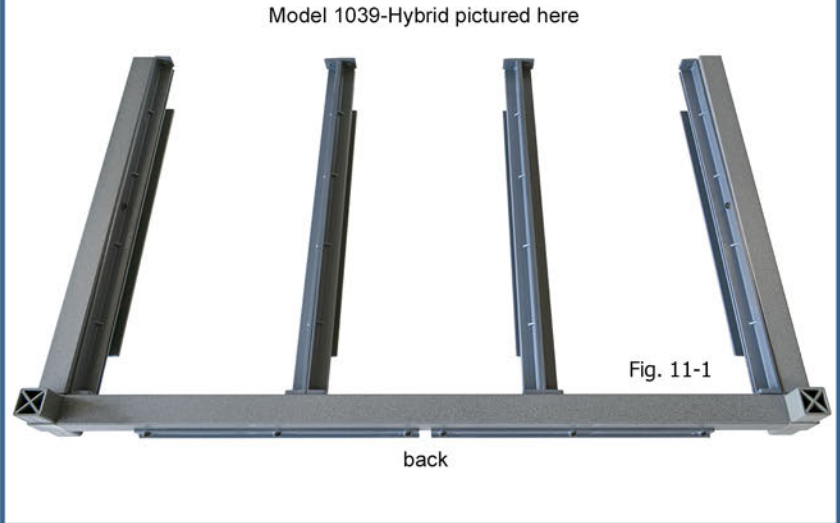
## Step 10

Attach the Double Glide (Part #12) to the interior of the Back Tube using the Screws provided. See Fig. 10-1 for close up.



## Step 11

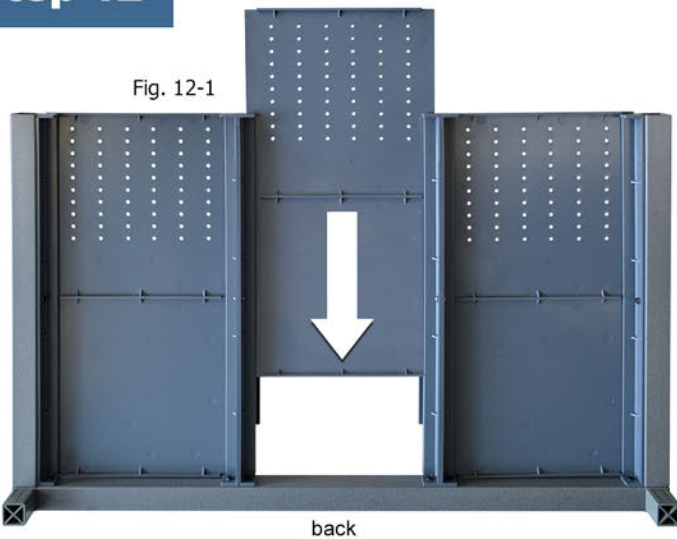
The 1065 uses 4 of the Double Glides, and the 1039 only uses 2 of the Double Glides per level. See Fig. 11-1 below for details.



## Step 12

Slide Connectors into each end of the Front Tube. Slide the assembled Front Tube onto the Side Tubes. See Fig. 12-2.

Then attach all the glides to the Front Tube using Screws provided (use Steps 9-10 as example).



Now slide the Toppers (Part #16) into the glides. See Fig. 12-1.

Make sure you have the end with the ventilation holes at the front of the rack. Also, make sure the smooth side of the tops are facing down.

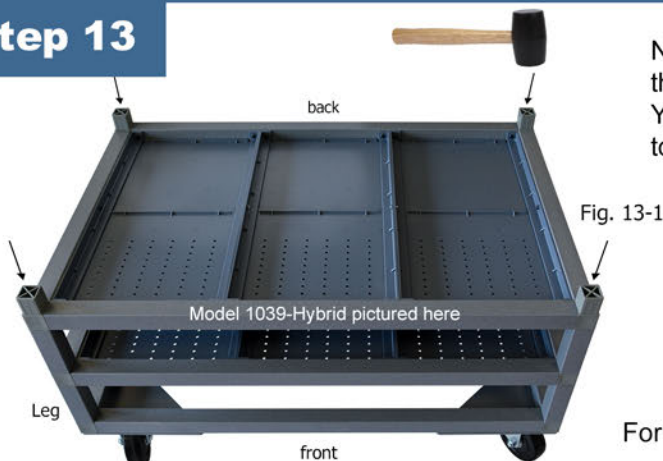


# ARS Hybrid Reptile Systems

## 10 Series

1039-H 1065-H

### Step 13



Now install 4 Legs (Part #4) to the base frame and then stack the level you just completed on top of the Legs. You can use a rubber mallet or your hand to push the levels together. See Fig. 13-1.

Repeat Steps 8-13 for the rest of the levels.

For the last level, use the remaining 3-Way Connectors (Part #5).

### Step 14

Adhere Velcro (Part #19) to the top-side of the two side tubes on each level. You may have to adhere the velcro to the pad first, as they may come separate. We usually place them approximately 2 inches from the back Leg as shown in Fig. 14-1.

**Note:** You can place the Velcro and Heat Panels (Part #18) anywhere along the Level Side Tube if you wish.



### Step 15

Center the Power Strip (Part #21) to the side or back of the rack. Then, mount the Power Strip to the rack using Zip Ties (Part #20) to the legs of the rack as shown in Fig. 15-1. You may then plug your Heat Panels into the Power Strip.

**Note:** There may be extra receptacle openings on the Power Strip.

Once your Heat Panels are connected to the Power Strip, plug the Power Strip into a thermostat (thermostat optional). Then plug the thermostat into the wall outlet.

Set your thermostat to the desired temperature.

**Note:** The set temperature is always a little higher than the desired temperature inside your tub.



If you need further assistance, or have questions please call **1-317-527-7076**.

Visit us at [www.arscaging.com](http://www.arscaging.com) to see our full line of ARS Caging including other ARS-Hybrid models.