

Instruction Manual

ARS Hybrid Reptile Systems

50 Series

5020-H 5040-H



5040-Hybrid



5020-Hybrid



www.arscaging.com 1-317-527-7076

ARS Caging. American Rodent Supply, LLC
12220 Southeastern Ave, Building #3, Indianapolis, Indiana 46259

50 Series

5020-H 5040-H

Packing List

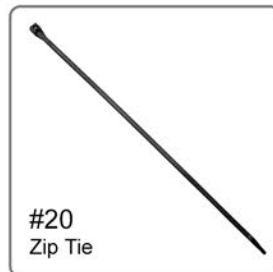
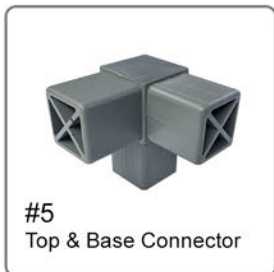
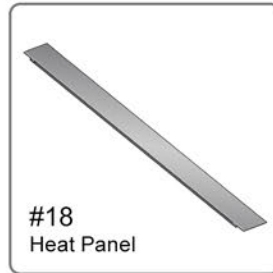
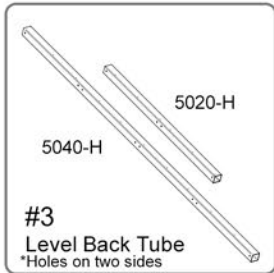
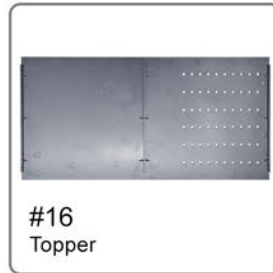
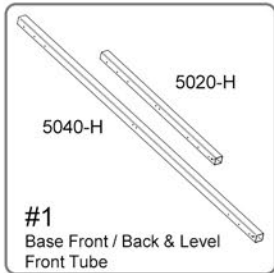
Quantities included by model

Part #	Part Description	5020	5040
1	Base Front / Back & Level Front Tube	12	12
2	Base & Level Side Tube	22	22
3	Level Back Tube	10	10
4	Leg	40	40
5	Top & Base Connector (3-Way)	8	8
6	Level Connector (4-Way)	36	36
7	Base Caster Plate	4	4
8	Screw	204	314
9	Caster	4	4
10	Stopper	20	30
11	Single Glide	20	20
12	Double Glide	10	30
13	(No part #13 on 50 Series)	-	-
14	Nut (Caster Plate)	16	16
15	Bolt (Caster Plate)	16	16
16	Topper	20	40
17	50 Series Tub	20	40
18	Heat Panel	10	10
19	Velcro (w/ Black Pad)	20	20
20	Zip Tie	2	2
21	48" Power Strip (12 Outlet)	1	1
22	ARS Dome Tag Sticker	1	1

50 Series

5020-H 5040-H

Packing List



*See quantities on page 1.

50 Series

5020-H 5040-H

Tools Required



Tools Recommended

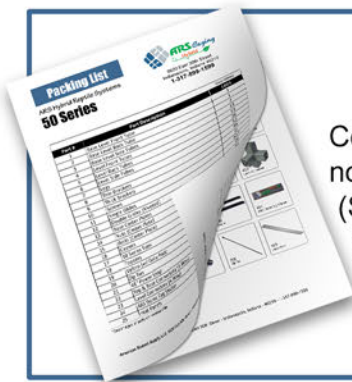
It is recommended that you use an Electric Screwdriver instead of an Electric Drill to prevent marring that can be caused by the chuck of the drill.

We recommend a Rubber Mallet be used when inserting the 3-Way and 4-Way Connectors into the square tubes.



Step 1

Count all parts to make sure nothing is missing. (See Packing List for descriptions, photos and quantities).



Step 2

About the tubes

The 50 Series uses 4 styles of tubes throughout the entire assembly.

The Base Front / Back Tubes and the Level Front Tubes are all (Part #1), with multiple holes. Some holes are used during the base

frame assembly and the remaining holes are used during the level assembly. This is the same for the Side Tubes (Part #2). For example, the assembly of the base frame uses the 3 hole pattern at each end, as indicated by the arrows in Fig. 2-1 and Fig. 2-2.

The third tube style is the Level Back Tube (Part #3), and is pictured and used in Step 7. Lastly is the Leg (Part #4) used in Step 14.

Closeup of one end of the Front / Back Tube

Fig. 2-1



The large holes are part of the manufacturing process and are not used.

Side Tube

Fig. 2-2



Continue to Step 3 →

50 Series

5020-H 5040-H

Base Frame Assembly

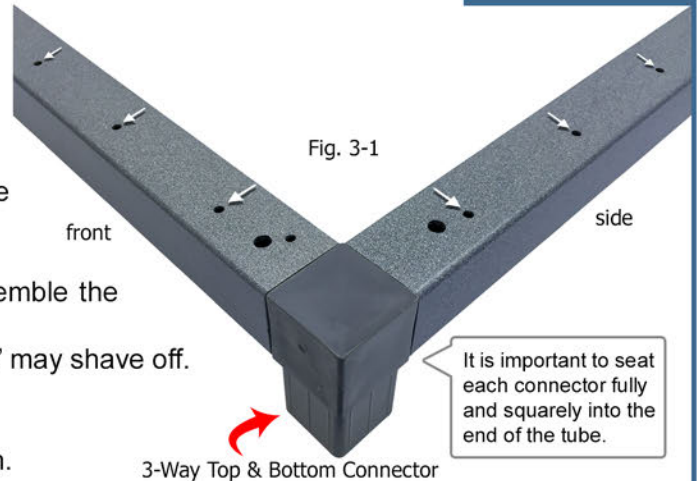
Step 3

Start with 2 of the Front / Back Tubes (Part #1) and 2 of the Side Tubes (Part #2). Each end has a three hole pattern. This is where the Base Caster Plate (Part #7) is attached using 6 of the Screws (Part #8) later in Step 4.

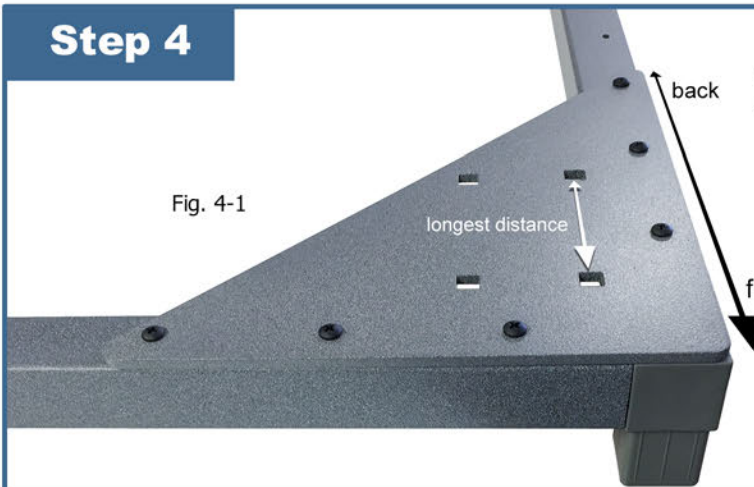
Note: The holes are off center, closer to one side of the tube. Make sure they are assembled so that the holes are towards the outer part of the frame as shown in Fig. 3-1.

Using 4 of the 3-way Top & Base Connectors (Part #5), assemble the base frame by sliding the parts together. During the insertion of the connectors, parts of the plastic "ribs" may shave off. This is by design, and provides a precise fit.

Note: Fig. 3-1 and Fig. 4-1 shows the base frame upside down.



Step 4

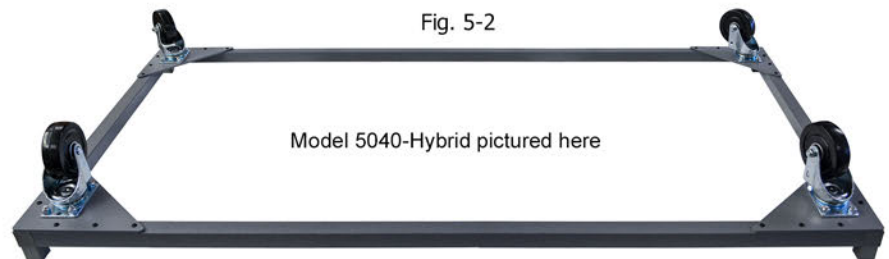
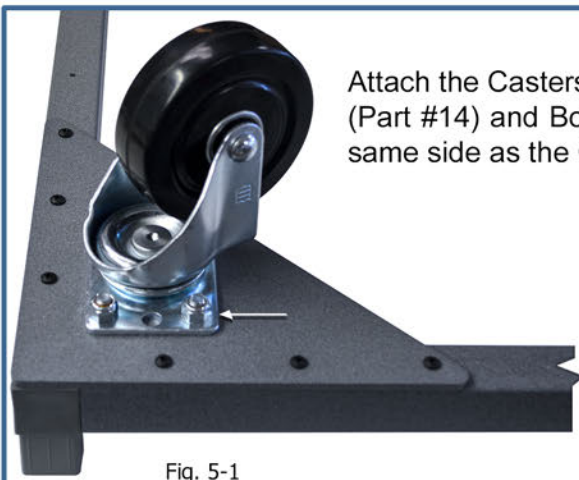


Attach a Base Caster Plate (Part #7) to all four corners of the base frame using the Screws provided as shown in Fig. 4-1. Make sure they are tightly screwed into the tubes.

Note: Each Base Caster Plate has four square holes that are laid out in a rectangle. Attach them so the longest distance is running from front to back.

Step 5

Attach the Casters (Part #9) to the Base Caster Plates using the Nuts (Part #14) and Bolts (Part #15). Bolt on so that the Nuts are on the same side as the Casters. This will complete your base frame.



50 Series

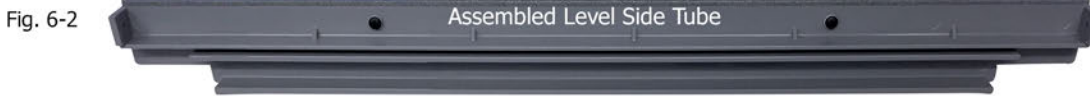
5020-H 5040-H

Step 6

Attach a Single Glide (Part #11) to the Level Side Tube (Part #2) using the Screws provided.



Note: Holes on the Level Side Tube need to be towards the top when attaching.



There will be 20 assembled Level Side Tubes when finished with this step.

Step 7



Attach Stoppers (Part #10) to the Level Back Tube (Part #3) using Screws provided. (Fig. 7-2). These stoppers will extend below the tube's edge.

Once this step is complete, there will be 10 assembled Level Back Tubes.

Model 5040-Hybrid pictured here

Fig. 7-3



Step 8

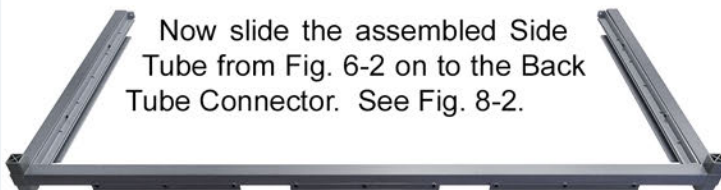
Start assembling the first level. Slide a 4-way Connector (Part #6) into each end of the Back Tube.



Fig. 8-1

4-Way Level Connector

Now slide the assembled Side Tube from Fig. 6-2 on to the Back Tube Connector. See Fig. 8-2.



Model 5040-Hybrid pictured here

Fig. 8-2

Step 9



Fig. 9-1

Attach the end of the Single Glides to the Level Back Tubes using Screws provided.

Note: Make sure that your tubes and connectors are all the way in and snug before screwing in the glide. While attaching the glide, the screw will drill through the plastic connector inside the tube. This will marry the two tubes and keep them from coming apart.

Using an electric screwdriver with an extended bit is best here. See Fig. 9-1 for example. Electric drills with rotating chucks may leave wear marks on the glides.

50 Series

5020-H 5040-H

Step 10

Attach the Double Glide (Part #12) to the interior of the Back Tube using the Screws provided. See Fig. 10-1 for close up.

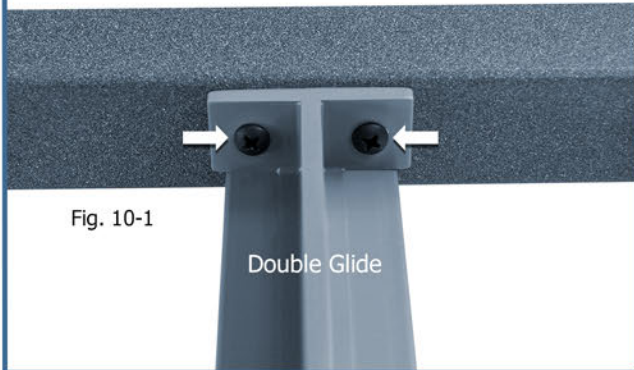


Fig. 10-1

Double Glide

Step 11

The 5040 uses 3 of the Double Glides, and the 5020 uses 1 of the Double Glides per level. See Fig. 11-1 for details.

Model 5040-Hybrid pictured here



back

Fig. 11-1

Step 12

Now slide the Toppers (Part #16) into the glides. See Fig. 12-1.

Fig. 12-1.

Make sure you have the end with the ventilation holes at the front of the rack. Also, make sure the smooth side of the tops are facing down.

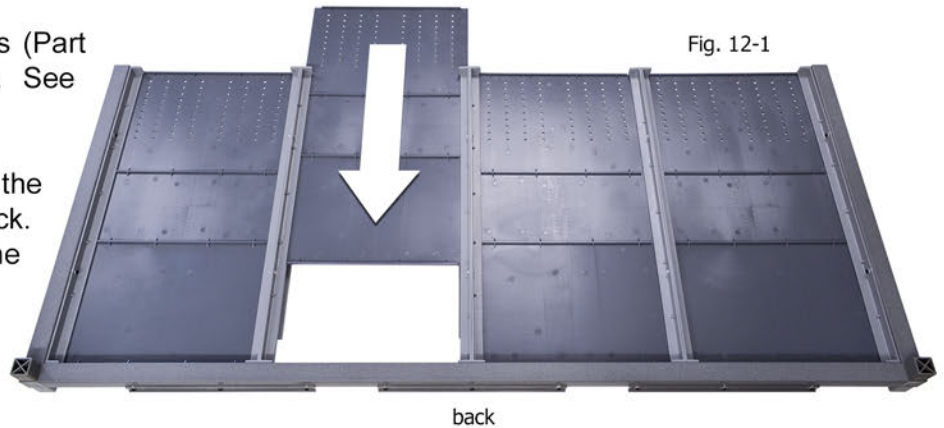


Fig. 12-1

back

Model 5040-Hybrid pictured in both Fig. 11-1 and Fig. 11-2

Slide Connectors into each end of the Front Tube. The side opposite the holes faces out towards the front of the level/rack. Be mindful of the placement of the holes so they line up with the holes with the back tube.

Slide the assembled Front Tube onto the Side Tubes. See Fig. 12-2.

Then attach all the glides to the Front Tube using Screws provided (use Steps 8-9 as example).



Fig. 12-2

back

ARS Hybrid Reptile Systems

50 Series

5020-H 5040-H

Step 13



Now install the 4 Legs (Part #7) to the base frame and then stack the level you just completed on top of the Legs. You can use a rubber mallet or your hand to push the levels together. See Fig. 13-1.

Repeat Steps 8-13 for the rest of the levels.

For the last level, use the remaining 3-Way Connectors (Part #5).

Step 14

Adhere Velcro (Part #19) to the top-side of the two side tubes on each level. You may have to adhere the velcro to the pad first, as they may come separate. We usually place them approximately 2 inches from the back Leg as shown in Fig. 14-1.

Note: You can place the Velcro and Heat Panels (Part #18) anywhere along the Level Side Tube if you wish.



Step 15

Center the Power Strip (Part #21) to the side or back of the rack. Then, mount the Power Strip to the rack using Zip Ties (Part #20) to the legs of the rack as shown in Fig. 15-1. You may then plug your Heat Panels into the Power Strip.

Note: There may be extra receptacle openings on the Power Strip.

Once your Heat Panels are connected to the Power Strip, plug the Power Strip into a thermostat (thermostat optional). Then plug the thermostat into the wall outlet.

Set your thermostat to the desired temperature.

Note: The set temperature is always a little higher than the desired temperature inside your tub.

If you need further assistance, or have questions please call **1-317-527-7076**.

Visit us at www.arscaging.com to see our full line of ARS Caging including other ARS-Hybrid models.