

Instruction Manual

ARS Hybrid Reptile Systems

70 Series

7010-H 7020-H 7030-H



7030-Hybrid



7010-Hybrid



7020-Hybrid



www.arscaging.com 1-317-527-7076

ARS Caging. American Rodent Supply, LLC
12220 Southeastern Ave, Building #3, Indianapolis, Indiana 46259

70 Series

7010-H 7020-H 7030-H

Packing List

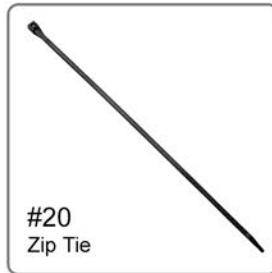
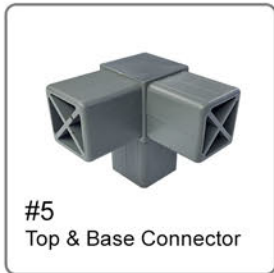
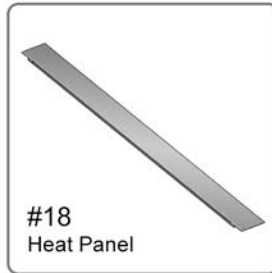
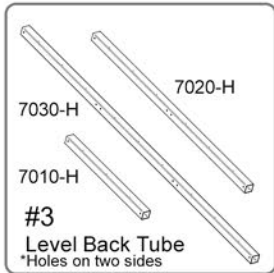
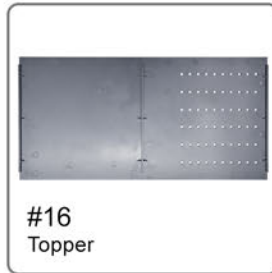
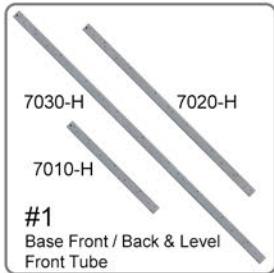
Quantities included by model

Part #	Part Description	7010	7020	7030
1	Base Front / Back & Level Front Tube	12	12	12
2	Base & Level Side Tube	22	22	22
3	Level Back Tube	10	10	10
4	Leg	40	40	40
5	Top & Base Connector (3-Way)	8	8	8
6	Level Connector (4-Way)	36	36	36
7	Base Caster Plate	4	4	4
8	Screw	194	324	454
9	Caster	4	4	4
10	Stopper	30	60	90
11	Single Glide	20	20	20
12	Double Glide	0	10	20
13	(No part #13 on 70 Series)	-	-	-
14	Nut (Caster Plate)	16	16	16
15	Bolt (Caster Plate)	16	16	16
16	Topper	10	20	30
17	70 Series Tub	10	20	30
18	Heat Panel	10	10	9
19	Velcro (w/ Black Pad)	20	20	20
20	Zip Tie	2	2	2
21	48" Power Strip (12 Outlet)	1	1	1
22	ARS Dome Tag Sticker	1	1	1

70 Series

7010-H 7020-H 7030-H

Packing List



*See quantities on page 1.

70 Series

7010-H 7020-H 7030-H

Tools Required



Tools Recommended

It is recommended that you use an Electric Screwdriver instead of an Electric Drill to prevent marring that can be caused by the chuck of the drill.

We recommend a Rubber Mallet be used when inserting the 3-Way and 4-Way Connectors into the square tubes.

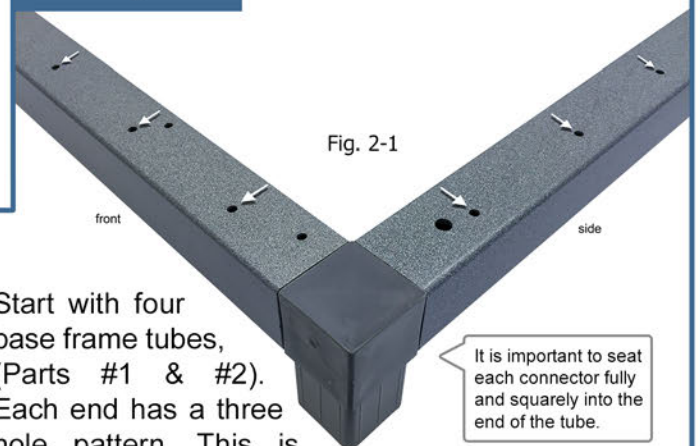


Step 1

Count all parts to make sure nothing is missing. (See Packing List for descriptions, photos and quantities).



Step 2

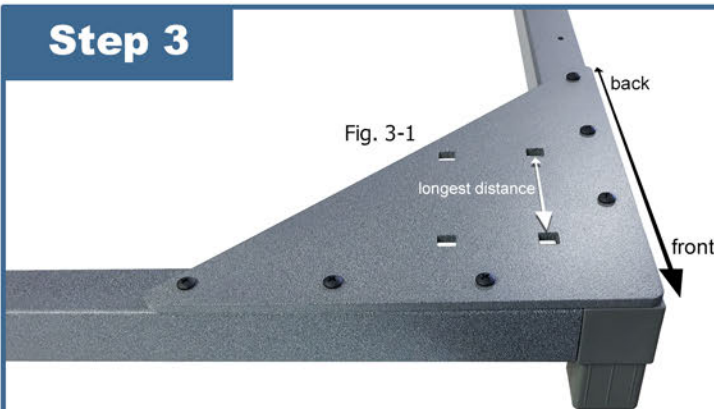


Start with four base frame tubes, (Parts #1 & #2). Each end has a three hole pattern. This is where the Base Caster Plate (Part #7) is attached using 6 of the Screws.

Note: The holes are off center, closer to one side of the tube. Make sure they are assembled so that the holes are towards the outer part of the frame as shown in Fig. 2-1. Using 4 of the 3-Way Connectors (Part #5), assemble the base frame by sliding the parts together.

Note: Fig. 2-1 and Fig. 3-1 show the base frame upside down.

Step 3



Attach a Base Caster Plate (Part #7) to all four corners of the base frame using the Screws provided as shown in Fig. 3-1. Make sure they are tightly screwed into the base frame tubes.

Note: Each Base Caster Plate has four square holes that are laid out in a rectangle. Attach them so the longest distance is running from front to back.

70 Series

7010-H 7020-H 7030-H

Step 4



Attach the Casters (Part #9) to the Base Caster Plates using the Nuts (Part #14) and Bolts (Part #15). Bolt on so that the Nuts are on the same side as the Casters. This will complete your base frame.



Model 7020-Hybrid pictured here

Step 5

Attach a Single Glide (Part #11) to the Level Side Tube (Part #6) using the Screws provided.



Fig. 5-1

Note: Holes on the Level Side Tube need to be towards the top when attaching.



Fig. 5-2

There will be 20 assembled Level Side Tubes when finished with this step.

Step 6

Attach Stoppers (Part #10) to the Level Front Tube (Part #1) using the Screws provided. (Fig 6-1).

Note: The Level Front Tube includes holes on one side only. Depending on which model you are assembling, the number of holes will vary. (Model 7020-Hybrid pictured below).

Model 7020-Hybrid Level Front Tube pictured here

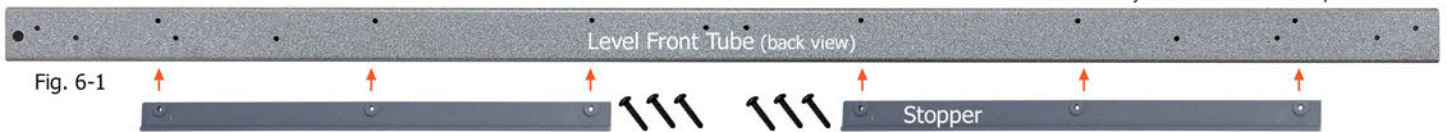


Fig. 6-1

Once this step is complete, there will be 10 assembled Level Front Tubes.

Note: Model 7010-Hybrid will use only 1 Stopper attached to the Level Front Tube. Model 7020-Hybrid (as pictured above) uses 2 Stoppers and 7030-Hybrid uses 3 Stoppers. Each Stopper requires 3 of the Screws provided.



Fig. 6-2

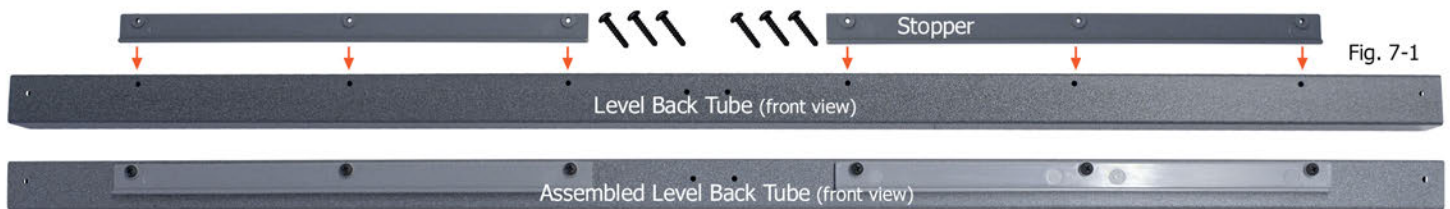
Continue to Step 7 →

70 Series

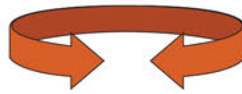
7010-H 7020-H 7030-H

Step 7

Note: In this step, Stoppers are attached to both sides of the Level Back Tube (Part #3). The Level Back Tube has holes on two sides. Using Fig. 7-1 for reference, locate the front side and position the holes so they are closest to the top. Attach Stoppers (Part #10) to a Level Back Tube using screws provided. (Fig. 7-1).

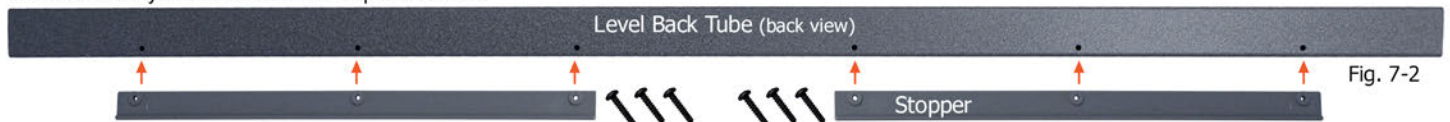


Now flip the Level Back Tube end for end.



The Level Back Tube will now show holes towards the bottom edge.

Model 7020-Hybrid Level Back Tube pictured here



Attach Stoppers (Part #10) to the Level Back Tube (Part #3) using Screws provided. (Fig. 7-2). These stoppers will extend below the tube's edge. See Figure 7-3.

Once this step is complete, there will be 10 assembled Level Back Tubes.



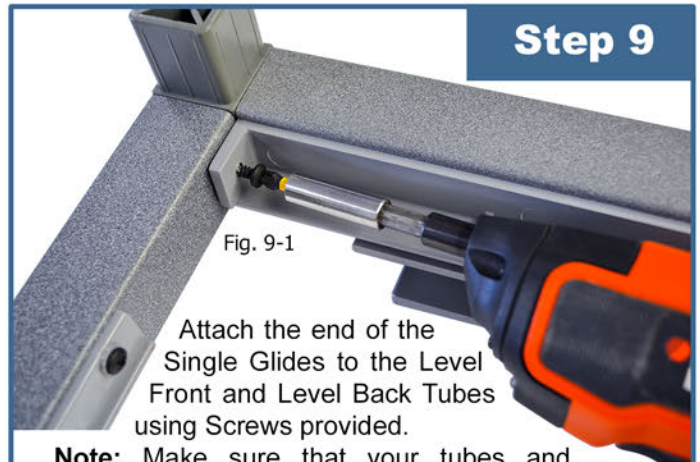
Step 8

Start assembling the first level. Slide a 4-Way Connector (Part #6) onto both ends of the assembled Level Side Tubes.



Now slide the assembled Level Front Tube and assembled Level Back Tube on to the connectors. See Fig. 8-1 for examples.

Step 9



Attach the end of the Single Glides to the Level Front and Level Back Tubes using Screws provided.

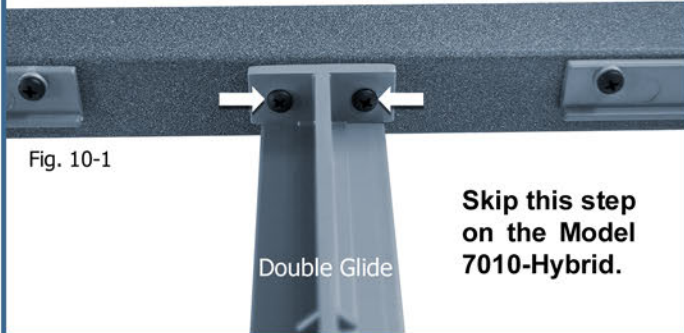
Note: Make sure that your tubes and connectors are all the way in and snug before screwing in the glide. While attaching the glide, the screw will drill through the plastic connector inside the tube. This will marry the two tubes and keep them from coming apart. Using an electric screwdriver with an extended bit is best here. See Fig. 9-1 for example. Electric drills with rotating chucks may leave wear marks on the glides.

70 Series

7010-H 7020-H 7030-H

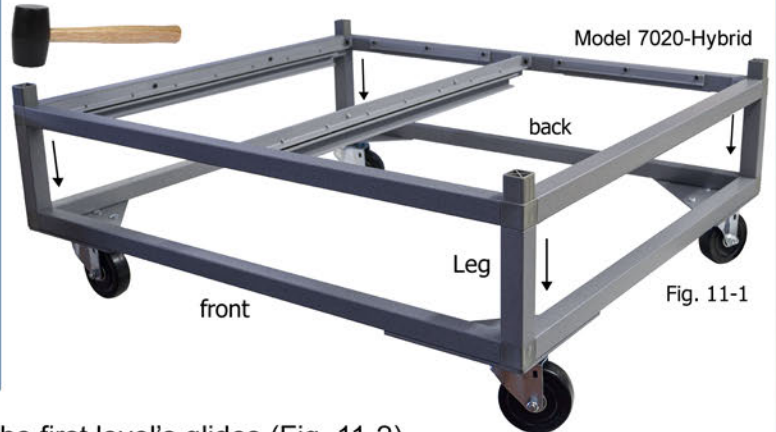
Step 10

Attach the Double Glide (Part #12) to the interior of the frame using the Screws provided. The 7020 uses 1 and the 7030 uses 2 of these parts. See Fig. 10-1 for close up. See Fig. 11-1 in Step 11 for finished look.

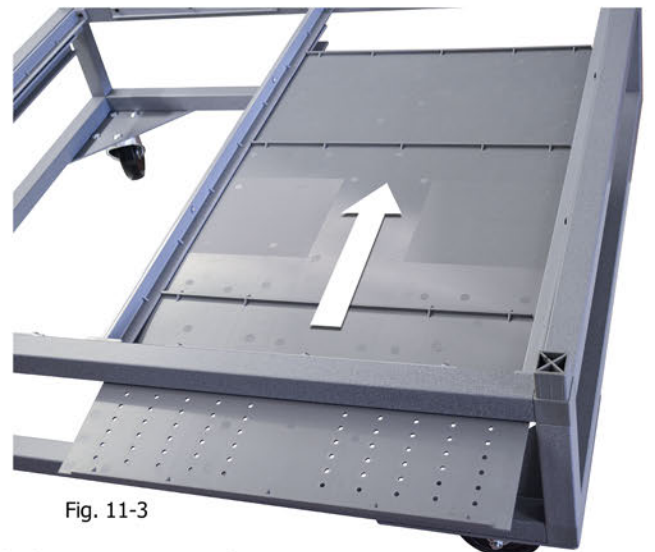
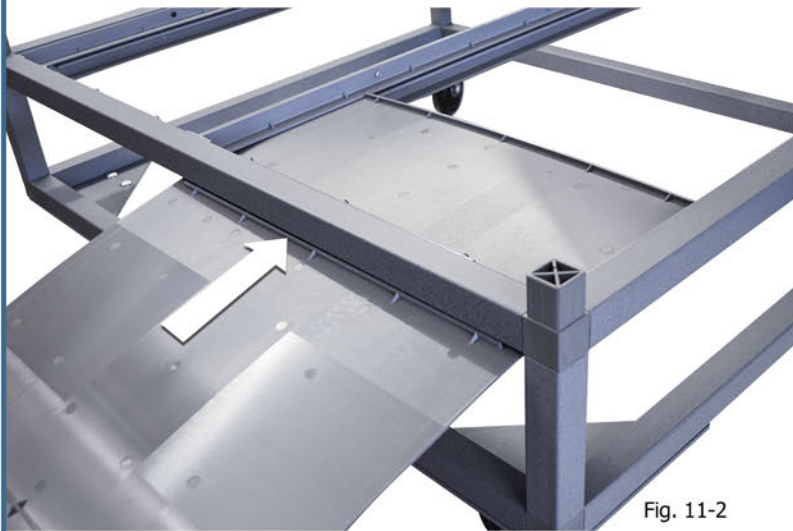


Step 11

Now install the 4 Legs (Part #4) to the base frame and then stack the level you just completed on top of the Legs. You can use a Rubber Mallet or your hand to push the levels together. See Fig. 11-1.



Once this is complete, slide a Topper (Part #16) into the first level's glides (Fig. 11-2). With the ridged side facing up, come up under the Level Front Tube and insert into the top slot of the glides. Flex the Topper slightly so it can be started into the slot of the glides. While flexing the Topper, slide it back until it passes the Level Front Tube and snaps in place (Fig. 11-3).



Note: For other levels, you can insert the tops before you stack them onto your frame. This will keep the levels a little more ridged when stacking them.

Step 12

Repeat Step 11 for the rest of the levels.

For the last level, use the remaining 3-Way Connectors (Part #5).

ARS Hybrid Reptile Systems

70 Series

7010-H 7020-H 7030-H

Step 13



Adhere Velcro (Part #19) to the top-side of the two side tubes on each level. You may have to adhere the velcro to the pad first, as they may come separate.

We usually place them approximately 2 inches from the back Leg as shown in Fig. 13-1.

Note: You can place the Velcro and Heat Panels (Part #18) anywhere along the Level Side Tube if you wish.

Fig. 13-1

Step 14



Center the Power Strip (Part #21) to the side or back of the rack.

Then, mount the Power Strip to the rack using Zip Ties (Part #20) to the legs of the rack as shown in Fig. 14-1.

You may then plug your Heat Panels into the Power Strip.

Note: There may be extra receptacle openings on the Power Strip.

Once your Heat Panels are connected to the Power Strip, plug the Power Strip into a thermostat (thermostat optional). Then plug the thermostat into the wall outlet.

Set your thermostat to the desired temperature.

Note: The set temperature is always a little higher than the desired temperature inside your tub.

Fig. 14-1

If you need further assistance, or have questions please call **1-317-527-7076**.

Visit us at www.arscaging.com to see our full line of ARS Caging including other ARS-Hybrid models.